

GLOBAL IMPACT PRODUCTS, LLC

ALUMINUM HORIZONTAL SLIDER WINDOW (HVHZ)(IMPACT)

GLOBAL IMPACT
PRODUCTS, LLC
1963 WEST MCNAB RD,
POMPANO BEACH, FL 33069

GENERAL NOTES:

- THE PRODUCT SHOWN HEREIN IS DESIGNED AND MANUFACTURED TO COMPLY WITH THE CURRENT EDITION FLORIDA BUILDING CODE (FBC), INCLUDING HVHZ AND HAS BEEN EVALUATED ACCORDING TO THE FOLLOWING:
 - TAS 201-94
 - TAS 202-94
 - TAS 203-94
- ADEQUACY OF THE EXISTING STRUCTURAL CONCRETE/MASONRY, 2X FRAMING, AND METAL FRAMING AS A MAIN WIND FORCE RESISTING SYSTEM CAPABLE OF WITHSTANDING AND TRANSFERRING APPLIED PRODUCT LOADS TO THE FOUNDATION IS THE RESPONSIBILITY OF THE ENGINEER OR ARCHITECT OF RECORD FOR THE PROJECT OF INSTALLATION.
- 1X AND 2X BUCKS (WHEN USED) SHALL BE DESIGNED AND ANCHORED TO PROPERLY TRANSFER ALL LOADS TO THE STRUCTURE. BUCK DESIGN AND INSTALLATION IS THE RESPONSIBILITY OF THE ENGINEER OR ARCHITECT OF RECORD FOR THE PROJECT OF INSTALLATION.
- INSTALL INDIVIDUAL INSTALLATION ANCHORS WITHIN A TOLERANCE OF ±1/4 INCH OF THE DEPICTED LOCATION IN THE ANCHOR LAYOUT DETAIL (I.E., WITHOUT CONSIDERATION OF TOLERANCES). TOLERANCES ARE NOT CUMULATIVE FROM ONE INSTALLATION ANCHOR TO THE NEXT.
- THE INSTALLATION DETAILS DESCRIBED HEREIN ARE GENERIC AND MAY NOT REFLECT ACTUAL CONDITIONS FOR A SPECIFIC SITE. IF SITE CONDITIONS CAUSE INSTALLATION TO DEVIATE FROM THE REQUIREMENTS DETAILED HEREIN, A LICENSED ENGINEER OR ARCHITECT SHALL PREPARE SITE SPECIFIC DOCUMENTS FOR USE WITH THIS DOCUMENT IN NON-HVHZ AREAS. IN HVHZ AREAS, ONE TIME PRODUCT APPROVAL TO BE OBTAINED FROM MIAMI-DADE RER OR AHJ.
- APPROVED IMPACT PROTECTIVE SYSTEM **IS NOT REQUIRED** ON THIS PRODUCT IN AREAS REQUIRING IMPACT RESISTANCE.
- WINDOW FRAME MATERIAL: ALUMINUM 6063-T5/T6.
- GLASS MEETS THE REQUIREMENTS OF ASTM E 1300 GLASS CHARTS. SEE SHEET 7 FOR GLAZING DETAILS.


TABLE OF CONTENTS	
SHEET	SECTION DESCRIPTION
1	INSTALLATION & GENERAL NOTES
2	ELEVATION & ANCHOR LAYOUTS
3	ELEVATION & ANCHOR LAYOUTS
4	VERTICAL SECTIONS
5	HORIZONTAL SECTIONS
6	HORIZONTAL SECTIONS
7	GLAZING DETAILS
8	INSTALLATION NOTES AND ANCHOR DETAILS & SCHEDULE
9	COMPONENTS & BILL OF MATERIAL

DESIGN PRESSURE TABLE		
GLAZING TYPES	MAX. DESING PRESSURE	IMPACT RATING
G1-SERIES 2041	+75/-85	LMI/SMI
G2-SERIES 2062	+75/-100	
G3-SERIES 2280	+75/-75	
G4-SERIES 2281	+75/-85	
G5-SERIES 2283	+75/-100	

SEE SHEET 7 FOR GLAZING DETAILS

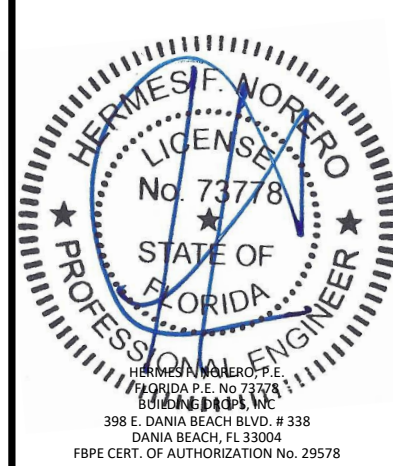
TITLE: ALUMINUM HORIZONTAL SLIDER WINDOW (HVHZ)(IMPACT) INSTALLATION & GENERAL NOTES

PREPARED BY: BUILDING DROPS, INC.
398 E. DANIA BEACH BLVD., STE. 338
DANIA BEACH, FL 33004
PH: (954)399-8478
FAX: (954)744-4738
WEB: www.buildingdrops.com



REMARKS	BY	DATE

THE INSTALLATION DETAILS DESCRIBED HEREIN ARE GENERIC AND MAY NOT REFLECT ACTUAL CONDITIONS FOR A SPECIFIC SITE. IF SITE CONDITIONS CAUSE INSTALLATION TO DEVIATE FROM THE REQUIREMENTS DETAILED HEREIN, A LICENSED ENGINEER OR ARCHITECT SHALL PREPARE SITE SPECIFIC DOCUMENTS FOR USE WITH THIS DOCUMENT.



FL# **FL41568**

DATE: **04.28.22**

DWG. BY: **YC** CHK. BY: **HFN**

SCALE: **NTS**

DWG. #: **GIP004**

SHEET: **1** OF 9

GLOBAL IMPACT PRODUCTS, LLC

1963 WEST MCNAB RD,
POMPANO BEACH, FL 33069

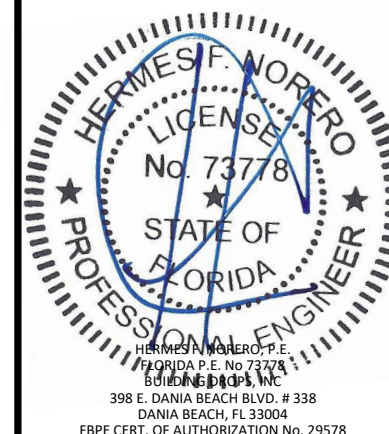
TITLE: ALUMINUM HORIZONTAL SLIDER WINDOW (HVHZ)(IMPACT) ELEVATIONS & ANCHOR LAYOUTS

PREPARED BY: BUILDING DROPS, INC.
398 E. DANIA BEACH BLVD., STE. 338
DANIA BEACH, FL 33004
PH: (954)399-8478
FAX: (954)744-4738
WEB: www.buildingdrops.com



REMARKS	BY	DATE

THE INSTALLATION DETAILS DESCRIBED HERE IN ARE GENERIC AND MAY NOT REFLECT ACTUAL CONDITIONS FOR A SPECIFIC SITE. IF SITE CONDITIONS CAUSE INSTALLATION TO DEVIATE FROM THE REQUIREMENTS DETAILED HEREIN, A LICENSED ENGINEER OR ARCHITECT SHALL PREPARE SITE SPECIFIC DOCUMENTS FOR USE WITH THIS DOCUMENT.



FL# **FL41568**

DATE: **04.28.22**

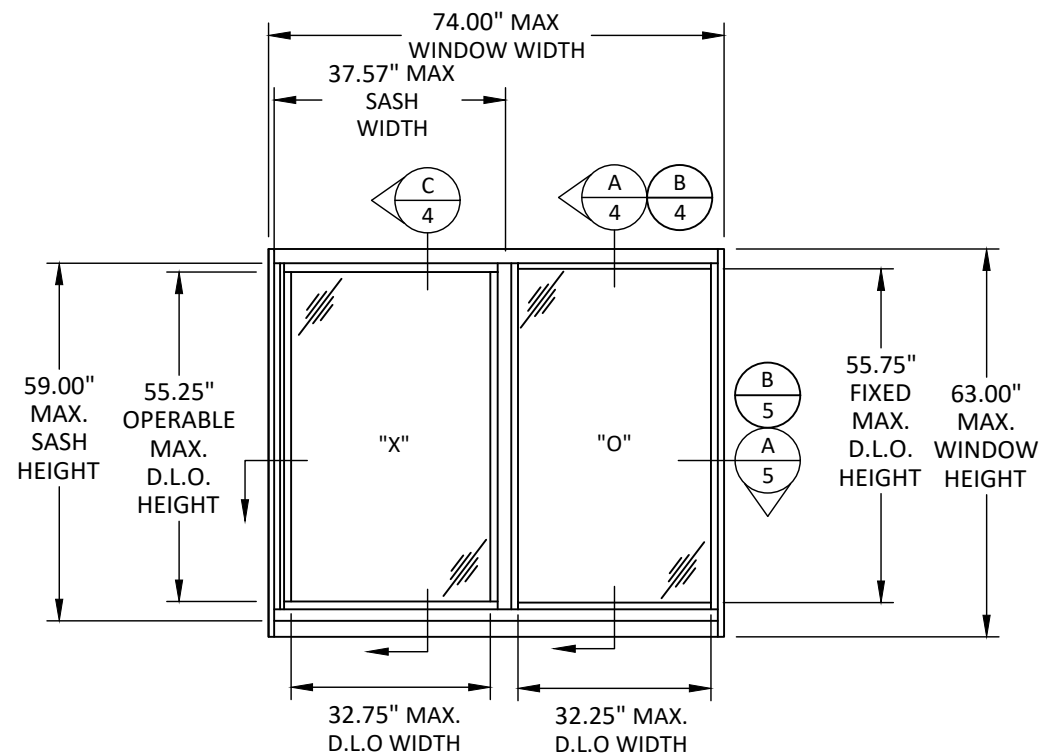
DWG. BY: **YC** CHK. BY: **HFN**

SCALE: **NTS**

DWG. #: **GIP004**

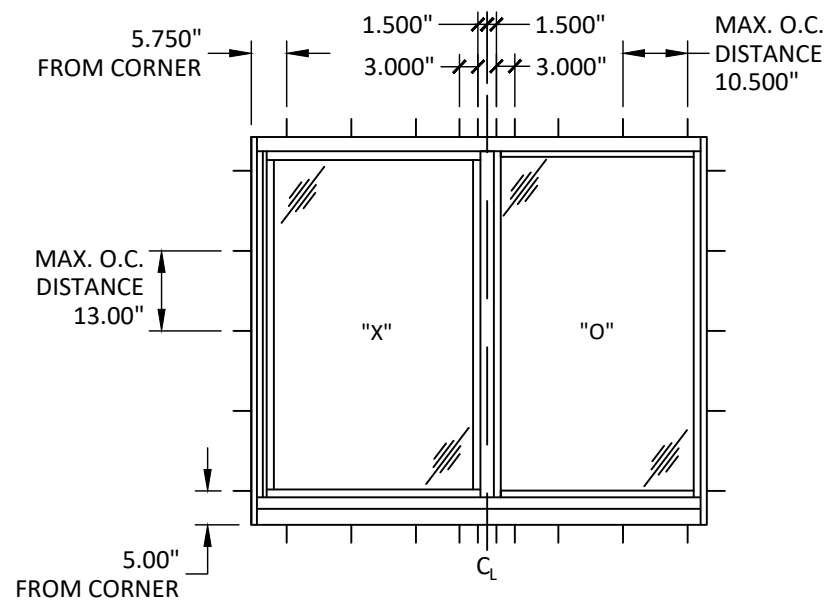
SHEET:

2 OF 9



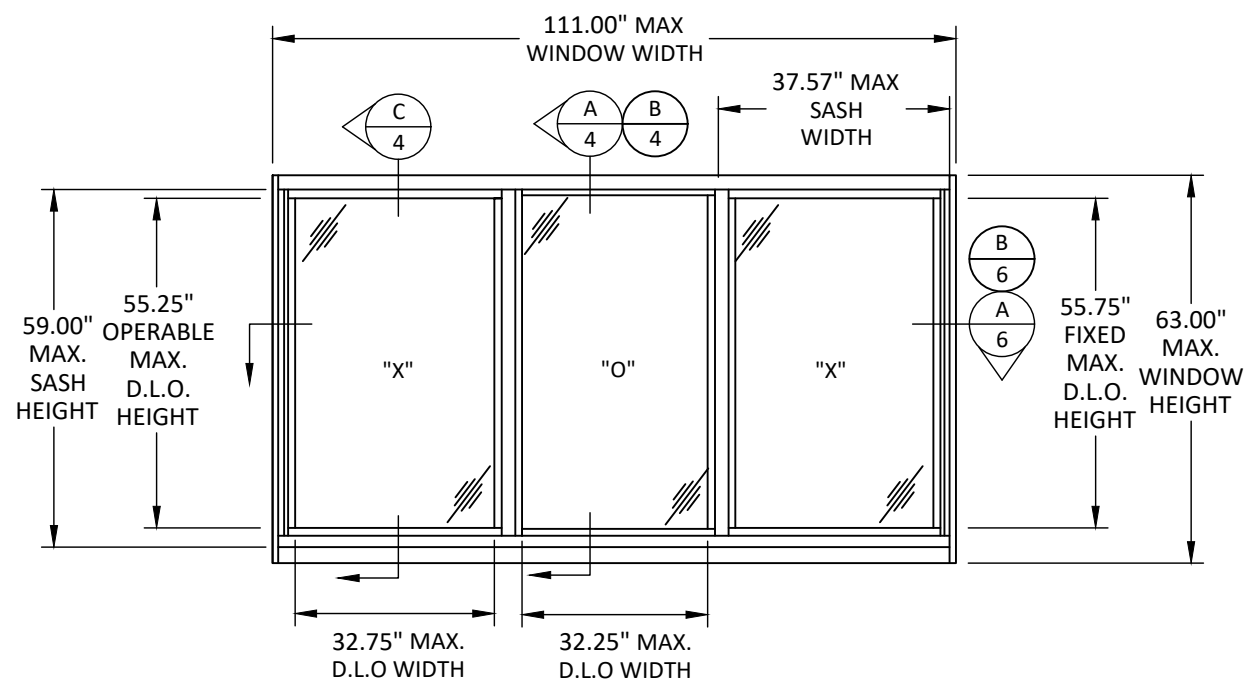
TYPICAL ELEVATION

OX/XO HORIZONTAL SLIDER - 1/2-1/2



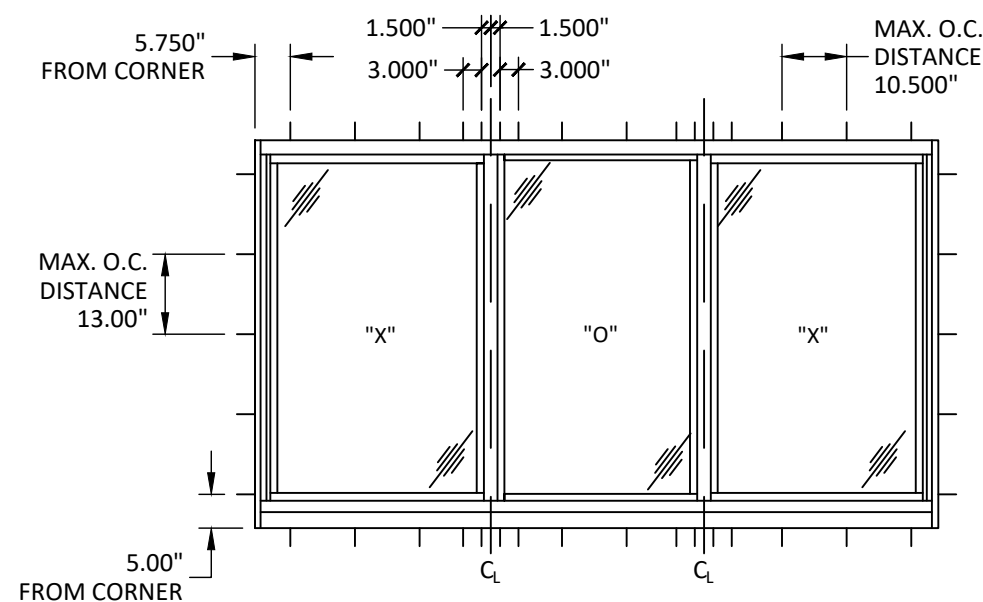
ANCHOR LAYOUT

OX/XO HORIZONTAL SLIDER - 1/2-1/2



TYPICAL ELEVATION

OXO HORIZONTAL SLIDER WINDOW 1/3-1/3-1/3



ANCHOR LAYOUT

OXO HORIZONTAL SLIDER WINDOW 1/3-1/3-1/3

GLOBAL IMPACT PRODUCTS, LLC

1963 WEST MCNAB RD,
POMPANO BEACH, FL 33069

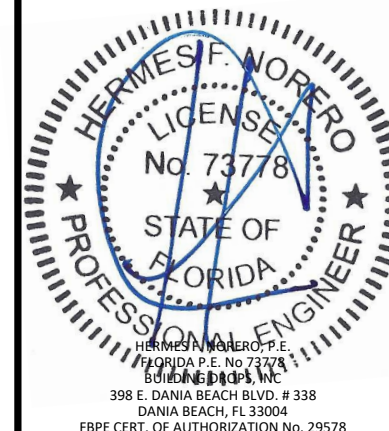
TITLE: ALUMINUM HORIZONTAL SLIDER WINDOW (HVHZ)(IMPACT) ELEVATIONS & ANCHOR LAYOUTS

PREPARED BY: **BUILDING DROPS, INC.**
398 E. DANIA BEACH BLVD., STE. 338
DANIA BEACH, FL 33004
PH: (954)399-8478
FAX: (954)744-4738
WEB: www.buildingdrops.com



REMARKS	BY	DATE

THE INSTALLATION DETAILS DESCRIBED HERE IN ARE GENERIC AND MAY NOT REFLECT ACTUAL CONDITIONS FOR A SPECIFIC SITE. IF SITE CONDITIONS CAUSE INSTALLATION TO DEVIATE FROM THE REQUIREMENTS DETAILED HEREIN, A LICENSED ENGINEER OR ARCHITECT SHALL PREPARE SITE SPECIFIC DOCUMENTS FOR USE WITH THIS DOCUMENT.



FL# **FL41568**

DATE: **04.28.22**

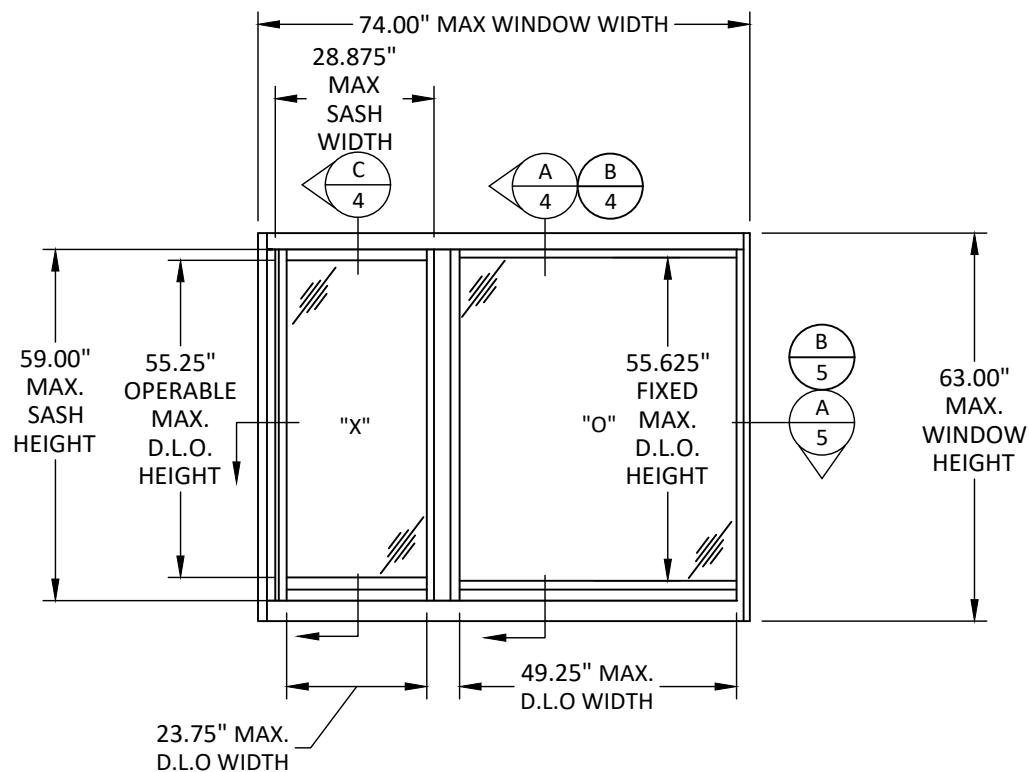
DWG. BY: **YC** CHK. BY: **HFN**

SCALE: **NTS**

DWG. #: **GIP004**

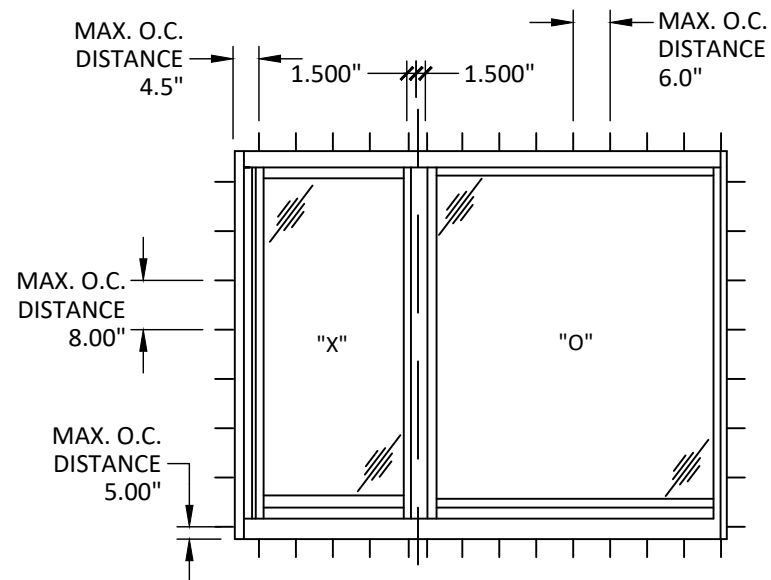
SHEET:

3
OF 9



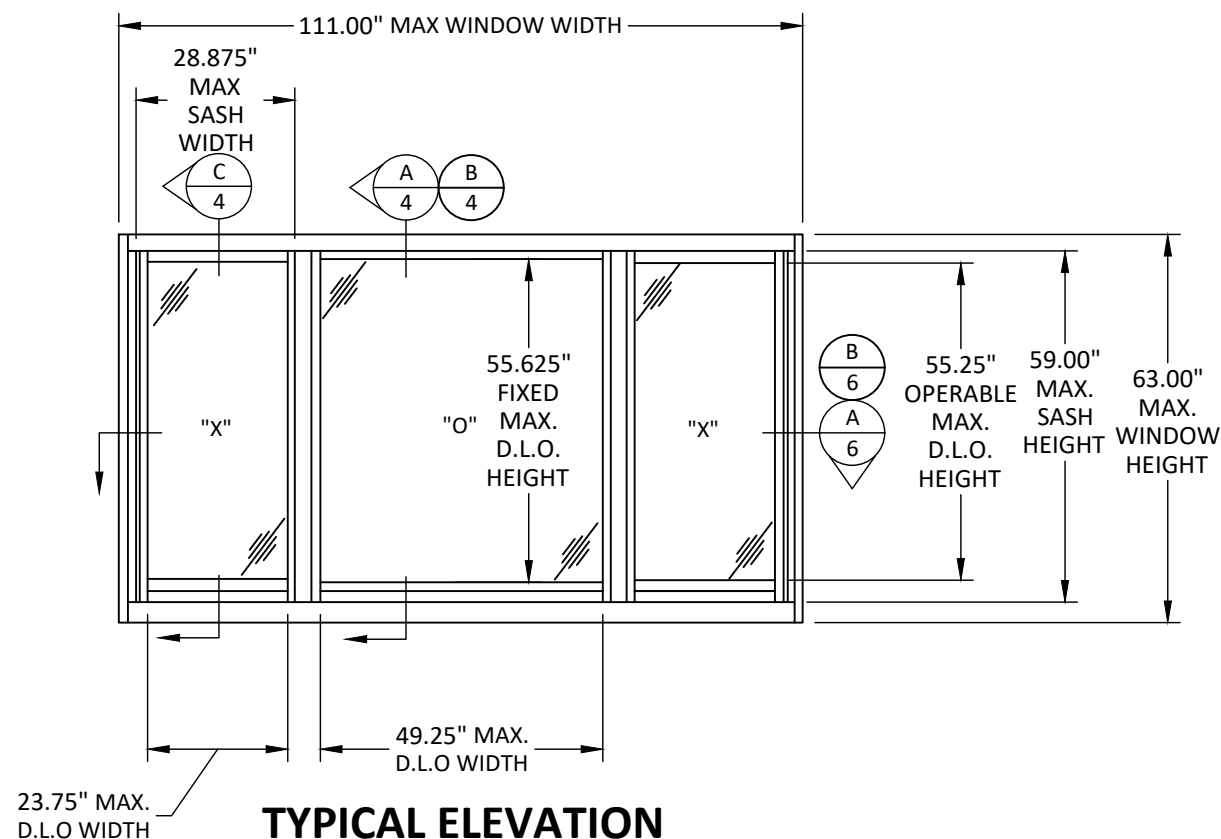
TYPICAL ELEVATION

XO HORIZONTAL SLIDER WINDOW 1/3-2/3



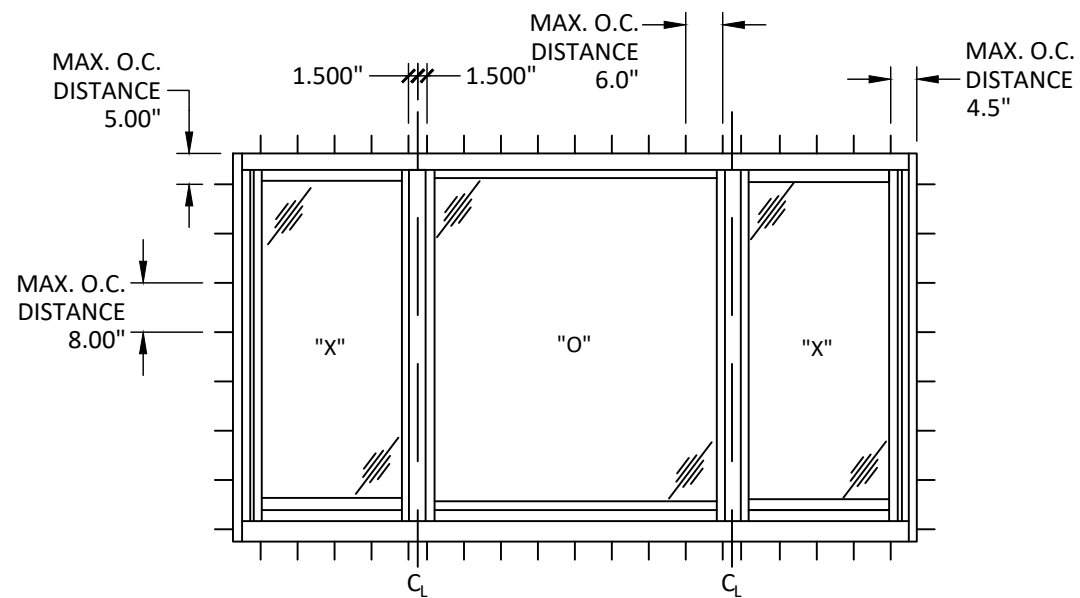
ANCHOR LAYOUT

XOX HORIZONTAL SLIDER WINDOW 1/3-2/3



TYPICAL ELEVATION

XOX HORIZONTAL SLIDER WINDOW 1/4-1/2-1/4



ANCHOR LAYOUT

XOX HORIZONTAL SLIDER WINDOW 1/4-1/2-1/4

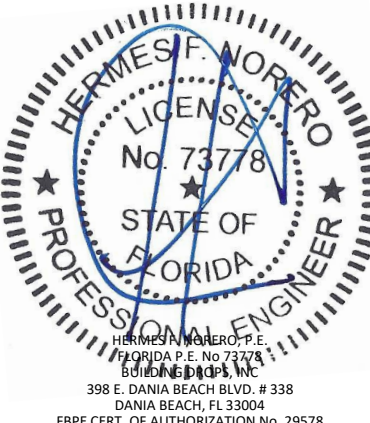
TITLE: ALUMINUM HORIZONTAL SLIDER WINDOW (HVHZ)(IMPACT) VERTICAL SECTIONS

PREPARED BY: **BUILDING DROPS, INC.**
 398 E. DANIA BEACH BLVD., STE. 338
 DANIA BEACH, FL 33004
 PH: (954)399-8478
 FAX: (954)744-4738
 WEB: www.buildingdrops.com



REMARKS	BY	DATE

THE INSTALLATION DETAILS DESCRIBED HERE IN ARE GENERIC AND MAY NOT REFLECT ACTUAL CONDITIONS FOR A SPECIFIC SITE. IF SITE CONDITIONS CAUSE INSTALLATION TO DEVIATE FROM THE REQUIREMENTS DETAILED HEREIN, A LICENSED ENGINEER OR ARCHITECT SHALL PREPARE SITE SPECIFIC DOCUMENTS FOR USE WITH THIS DOCUMENT.



FL# **FL41568**

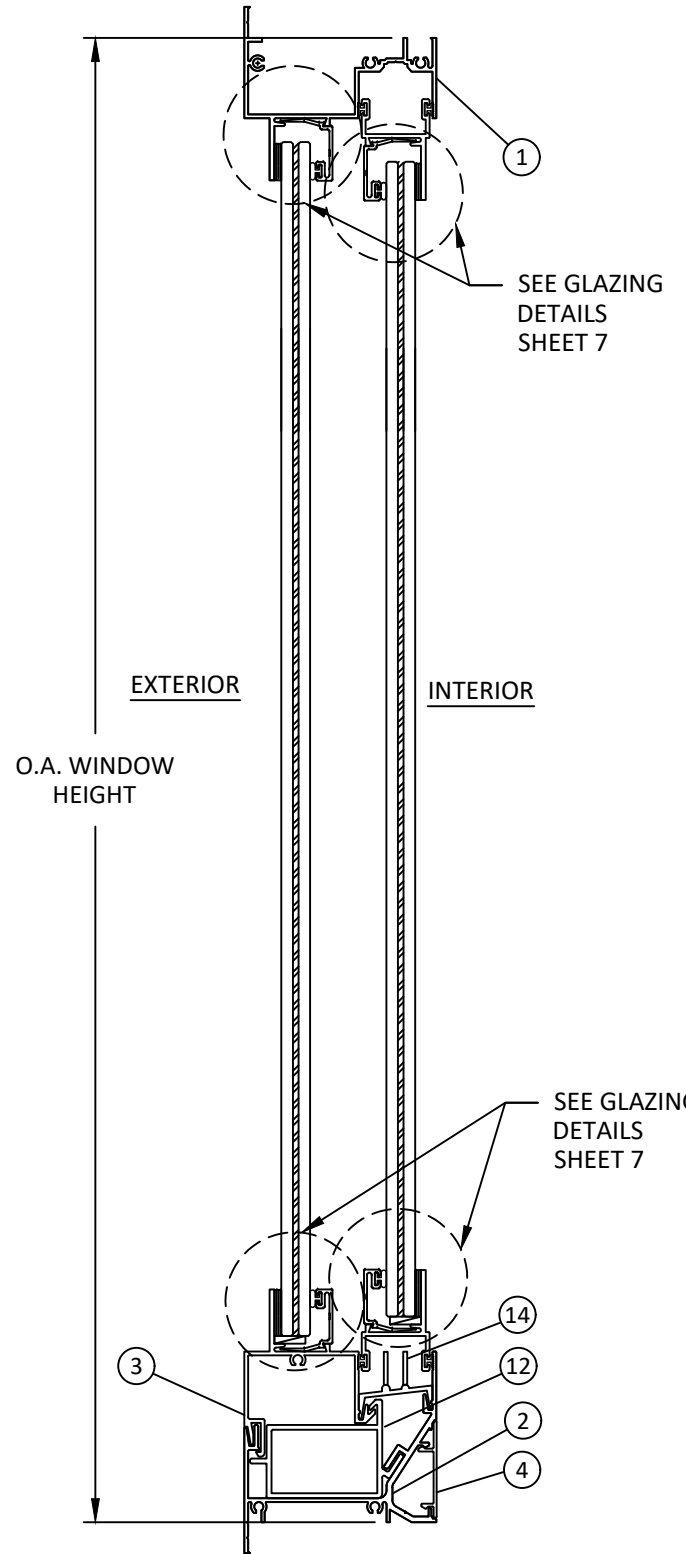
DATE: **04.28.22**

DWG. BY: **YC** CHK. BY: **HFN**

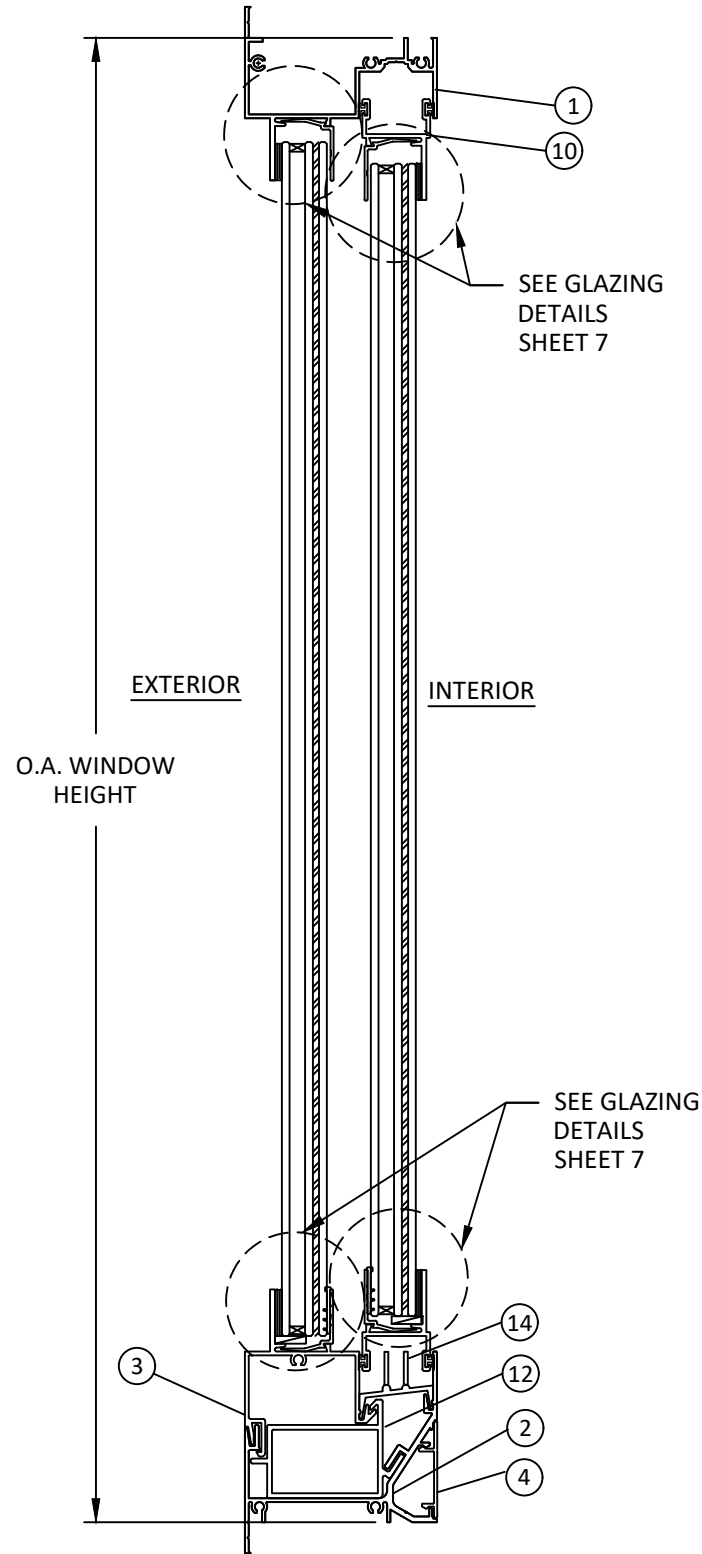
SCALE: **NTS**

DWG. #: **GIP004**

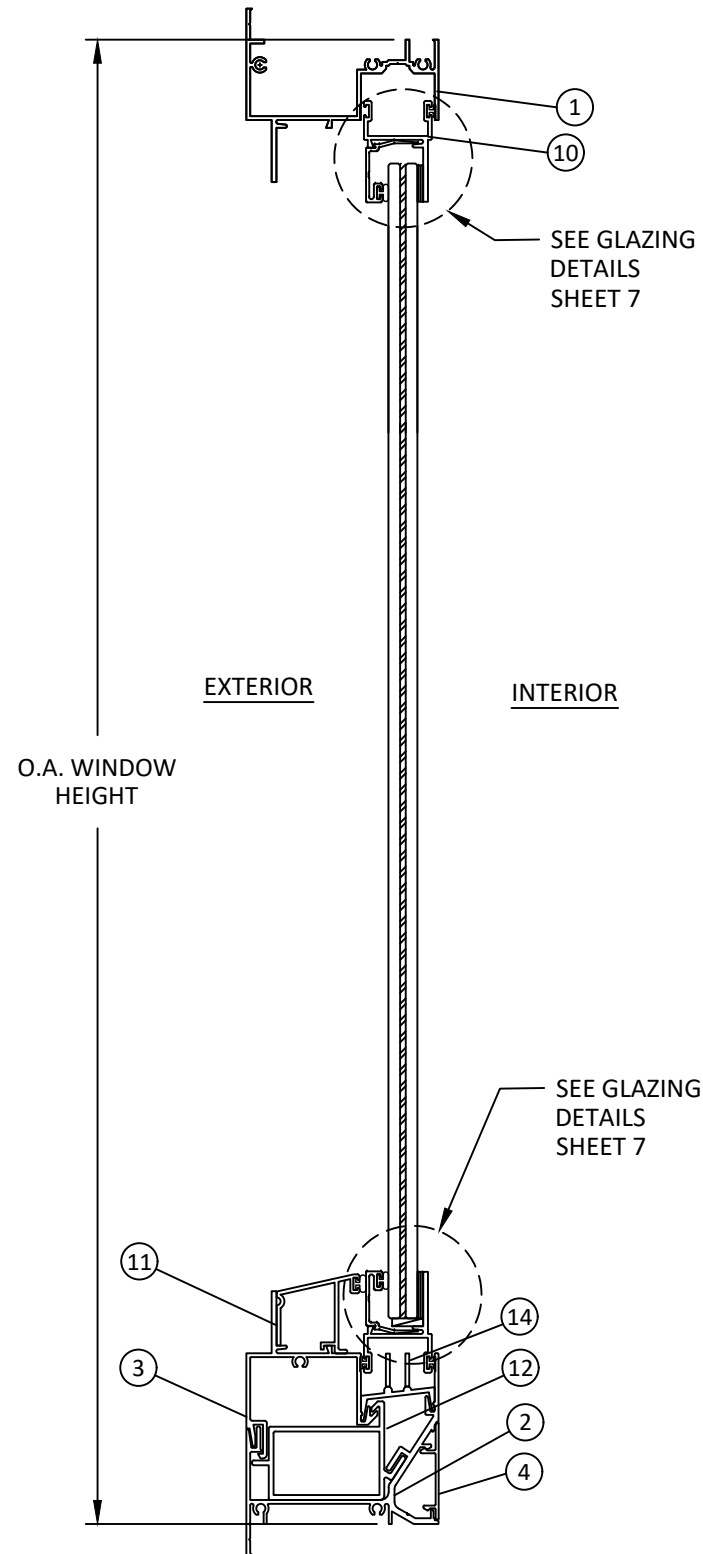
SHEET: **4** OF 9



A
4 **VERTICAL SECTION**
LAMINATED GLASS



B
4 **VERTICAL SECTION**
INSULATED LAMINATED GLASS

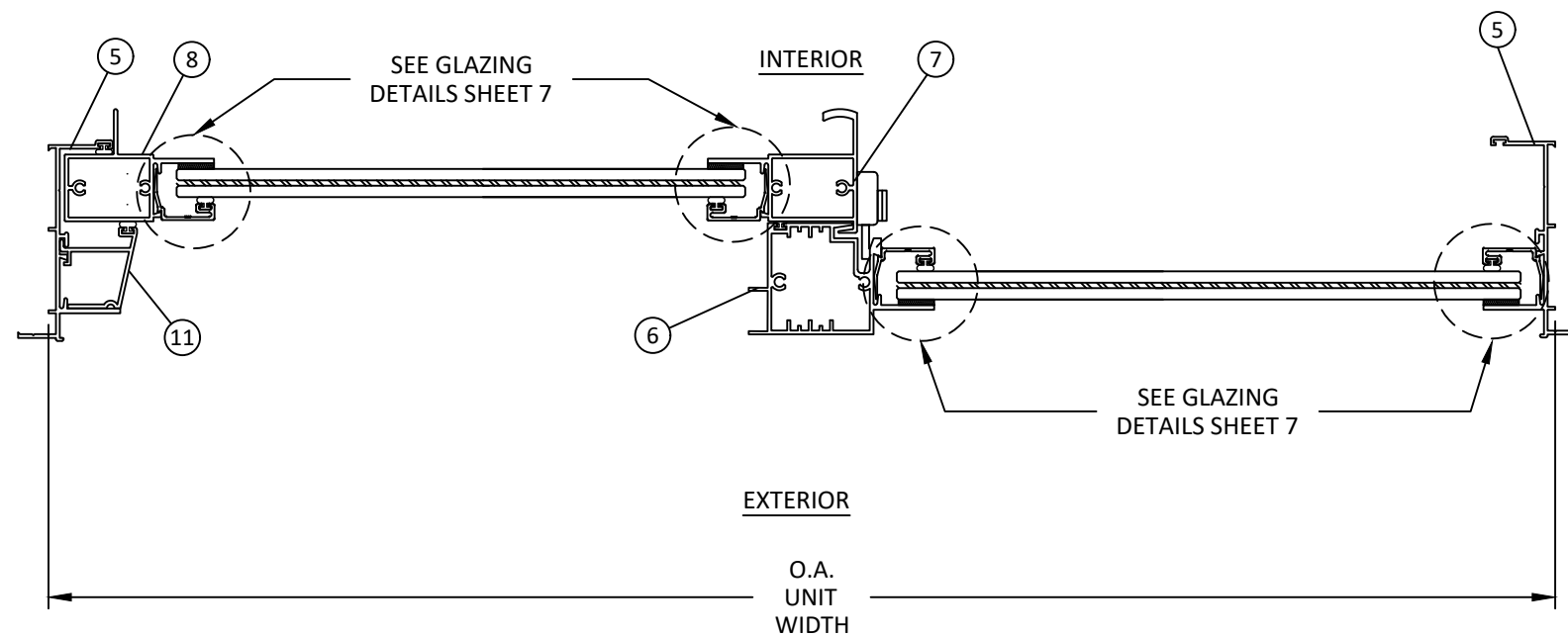


C
4 **VERTICAL SECTION**
LAMINATED GLASS OPERABLE PANEL

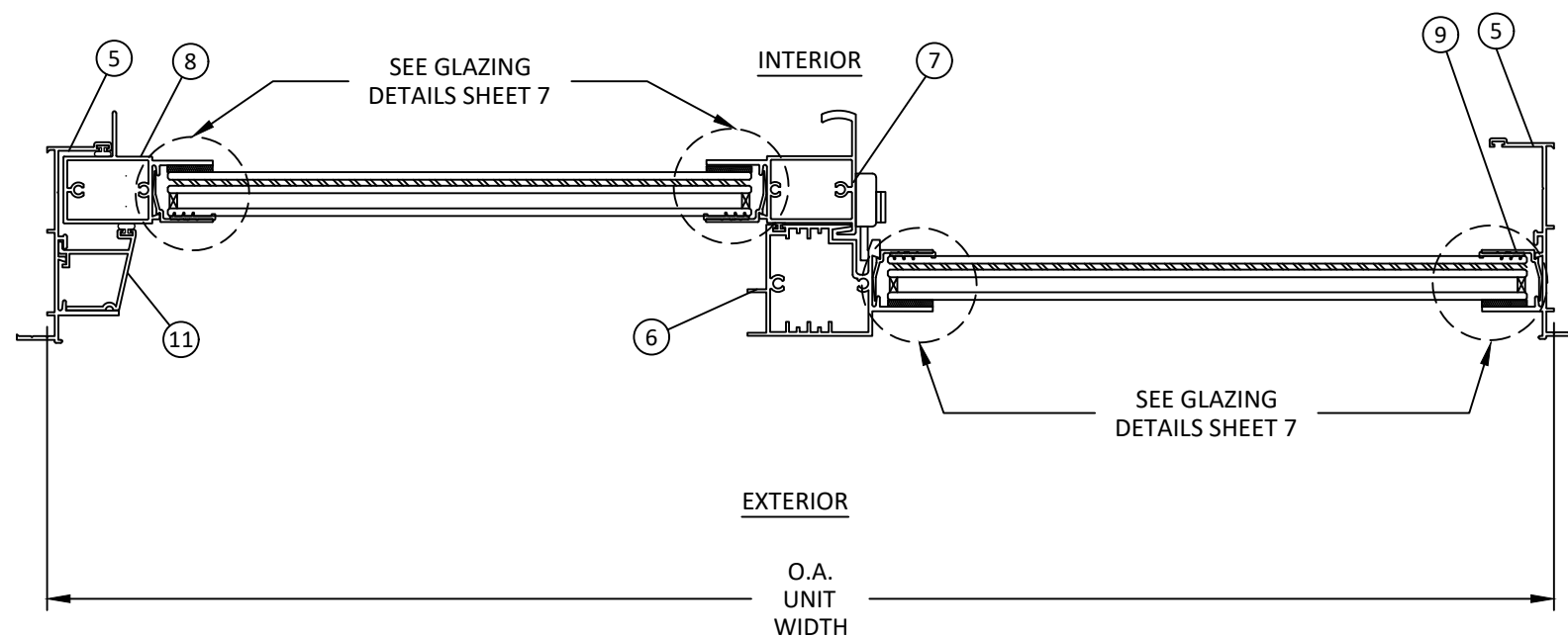
LAMINATED GLASS SHOWN.
INSULATED LAMINATED GLASS QUALIFY

GLOBAL IMPACT PRODUCTS, LLC

1963 WEST MCNAB RD,
POMPANO BEACH, FL 33069



A
5 **HORIZONTAL SECTION**
LAMINATED GLASS



B
5 **HORIZONTAL SECTION**
INSULATED LAMINATED GLASS

1/2-1/2 CONFIGURAITON SHOWN.
1/3-2/3 CONFIGURATION QUALIFY

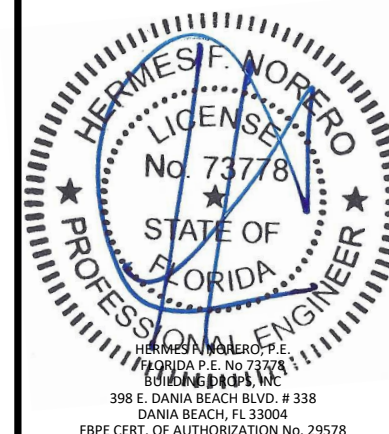
TITLE: ALUMINUM HORIZONTAL SLIDER WINDOW (HVHZ)(IMPACT) HORIZONTAL SECTIONS

PREPARED BY: **BUILDING DROPS, INC.**
398 E. DANIA BEACH BLVD., STE. 338
DANIA BEACH, FL 33004
PH: (954)399-8478
FAX: (954)744-4738
WEB: www.buildingdrops.com



REMARKS	BY	DATE

THE INSTALLATION DETAILS DESCRIBED HERE IN ARE GENERIC AND MAY NOT REFLECT ACTUAL CONDITIONS FOR A SPECIFIC SITE. IF SITE CONDITIONS CAUSE INSTALLATION TO DEVIATE FROM THE REQUIREMENTS DETAILED HEREIN, A LICENSED ENGINEER OR ARCHITECT SHALL PREPARE SITE SPECIFIC DOCUMENTS FOR USE WITH THIS DOCUMENT.



FL# **FL41568**

DATE: **04.28.22**

DWG. BY: **YC** CHK. BY: **HFN**

SCALE: **NTS**

DWG. #: **GIP004**

SHEET:

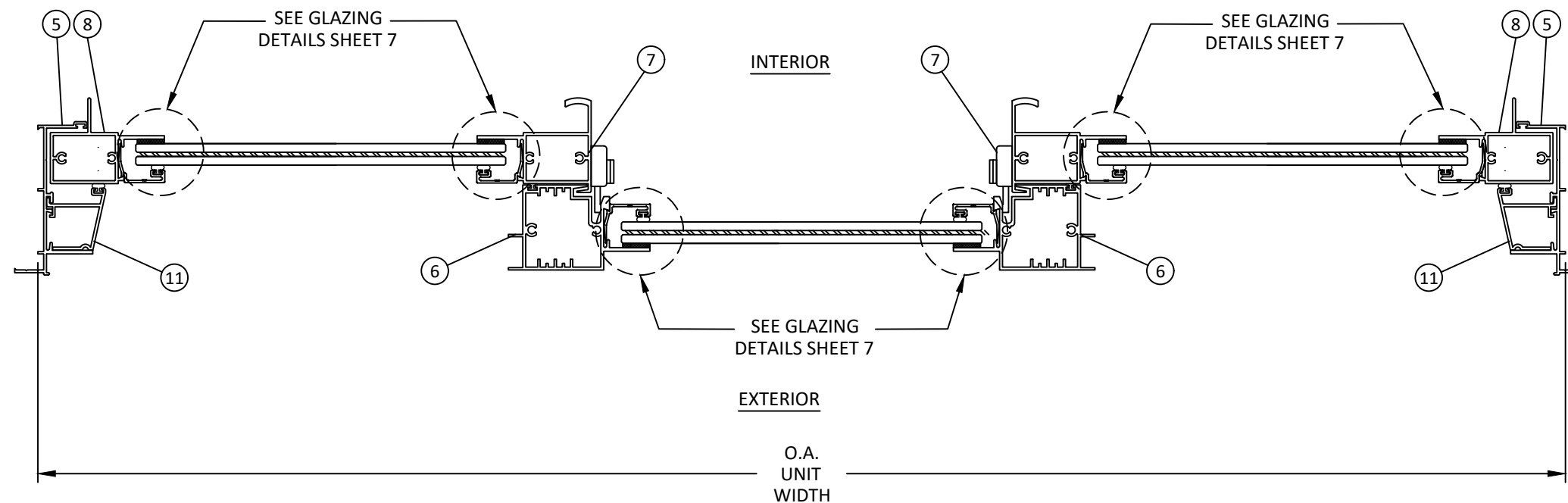
5
OF 9

GLOBAL IMPACT PRODUCTS, LLC

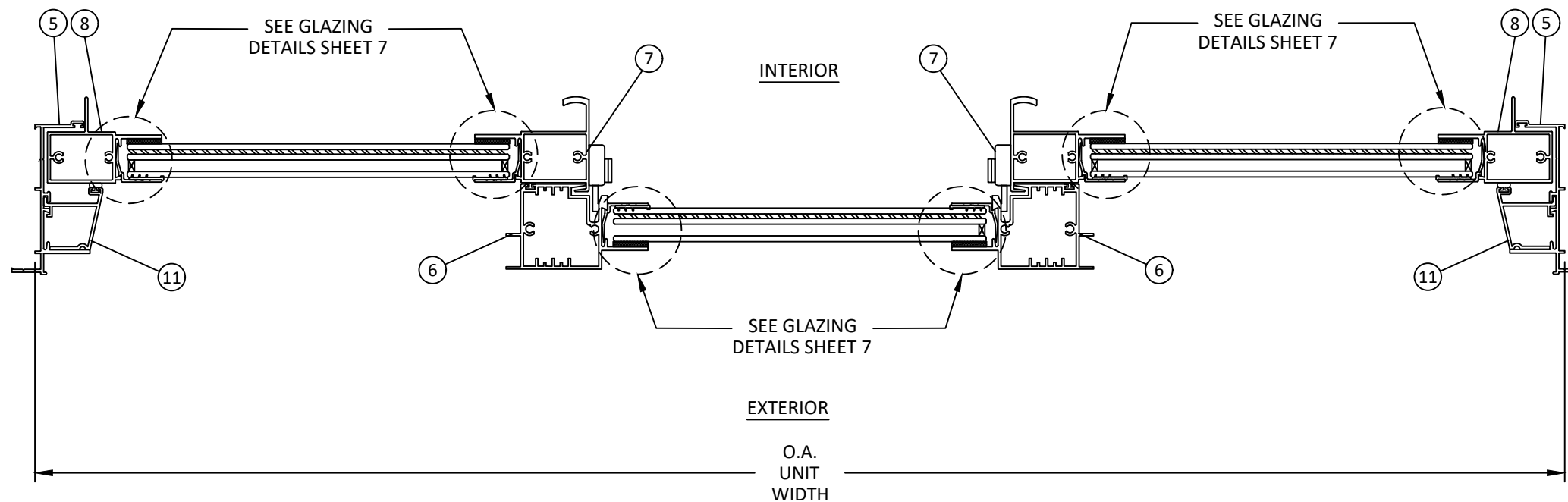
1963 WEST MCNAB RD,
POMPANO BEACH, FL 33069

TITLE: ALUMINUM HORIZONTAL SLIDER WINDOW (HVHZ)(IMPACT) HORIZONTAL SECTIONS

PREPARED BY: BUILDING DROPS, INC.
398 E. DANIA BEACH BLVD., STE. 338
DANIA BEACH, FL 33004
PH: (954)399-8478
FAX: (954)744-4738
WEB: www.buildingdrops.com



A HORIZONTAL SECTION
6 LAMINATED GLASS

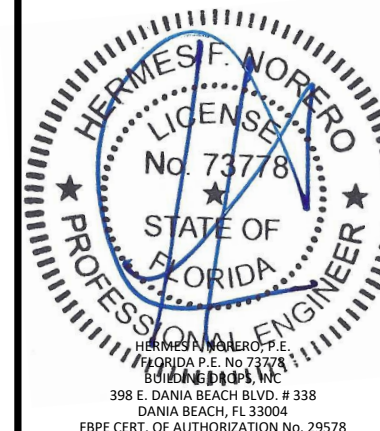


B HORIZONTAL SECTION
6 INSULATED LAMINATED GLASS

1/3-1/3-1/3 CONFIGURAITON SHOWN.
1/4-1/2-1/4 CONFIGURATION QUALIFY

REMARKS	BY	DATE

THE INSTALLATION DETAILS DESCRIBED HERE IN ARE GENERIC AND MAY NOT REFLECT ACTUAL CONDITIONS FOR A SPECIFIC SITE. IF SITE CONDITIONS CAUSE INSTALLATION TO DEVIATE FROM THE REQUIREMENTS DETAILED HEREIN, A LICENSED ENGINEER OR ARCHITECT SHALL PREPARE SITE SPECIFIC DOCUMENTS FOR USE WITH THIS DOCUMENT.



FL# **FL41568**

DATE: **04.28.22**

DWG. BY: **YC** CHK. BY: **HFN**

SCALE: **NTS**

DWG. #: **GIP004**

SHEET:

6

OF 9

GLOBAL IMPACT PRODUCTS, LLC

1963 WEST MCNAB RD,
POMPANO BEACH, FL 33069

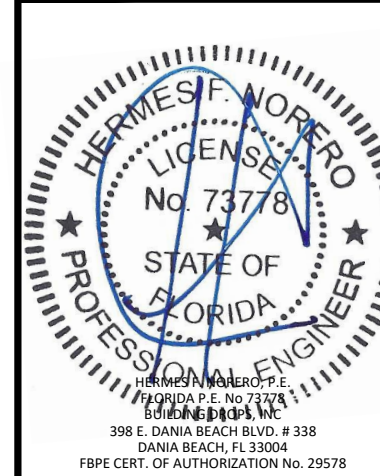
TITLE: ALUMINUM HORIZONTAL SLIDER WINDOW (HVHZ)(IMPACT) GLAZING DETAILS

PREPARED BY: BUILDING DROPS, INC.
398 E. DANIA BEACH BLVD., STE. 338
DANIA BEACH, FL 33004
PH: (954)399-8478
FAX: (954)744-4738
WEB: www.buildingdrops.com



REMARKS	BY	DATE

THE INSTALLATION DETAILS DESCRIBED HERE IN ARE GENERIC AND MAY NOT REFLECT ACTUAL CONDITIONS FOR A SPECIFIC SITE. IF SITE CONDITIONS CAUSE INSTALLATION TO DEVIATE FROM THE REQUIREMENTS DETAILED HEREIN, A LICENSED ENGINEER OR ARCHITECT SHALL PREPARE SITE SPECIFIC DOCUMENTS FOR USE WITH THIS DOCUMENT.



FL# **FL41568**

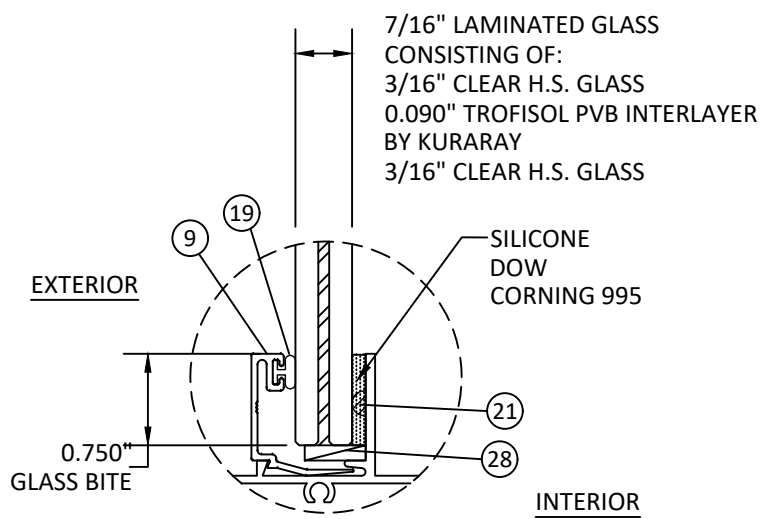
DATE: **04.28.22**

DWG. BY: **YC** CHK. BY: **HFN**

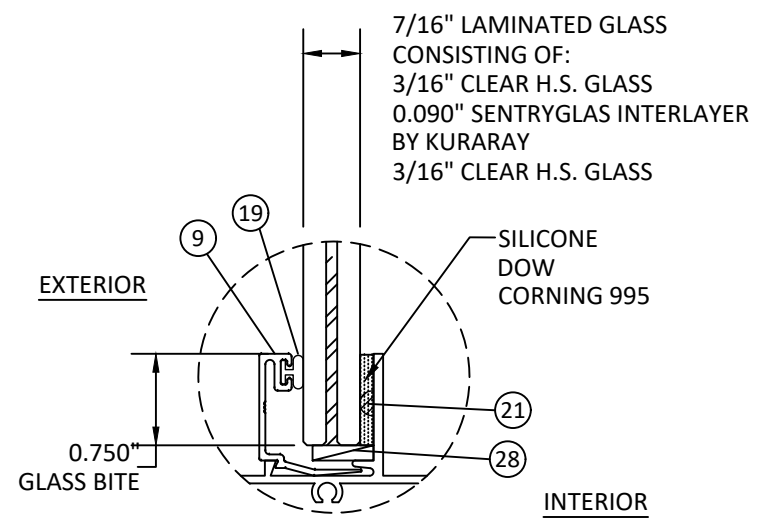
SCALE: **NTS**

DWG. #: **GIP004**

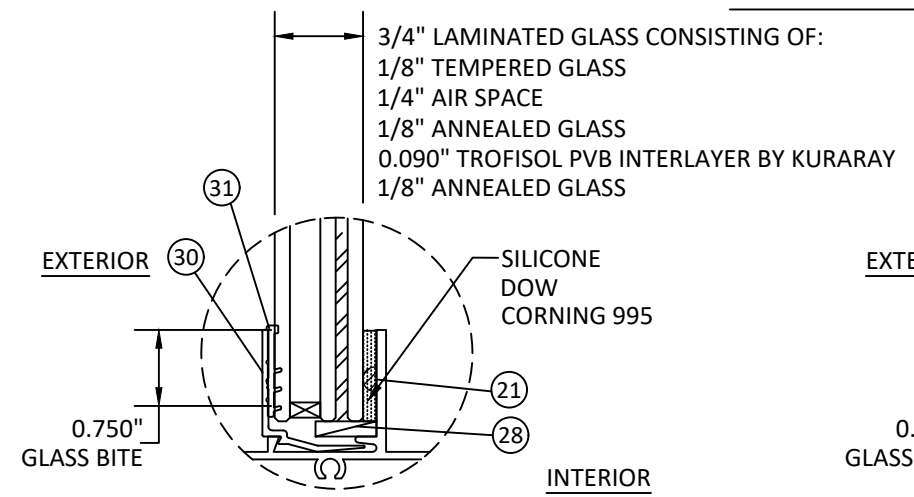
SHEET: **7** OF 9



GLAZING DETAIL 1 (G1)
SERIES 2041

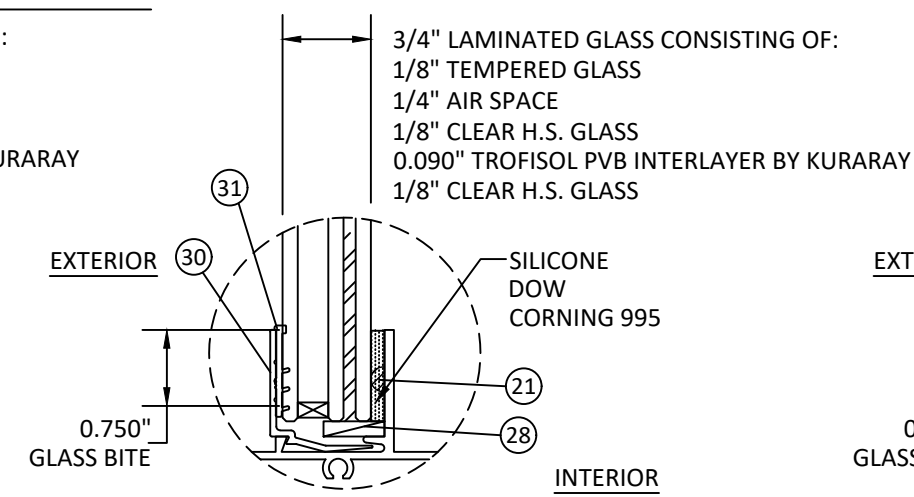


GLAZING DETAIL 2 (G2)
SERIES 2062



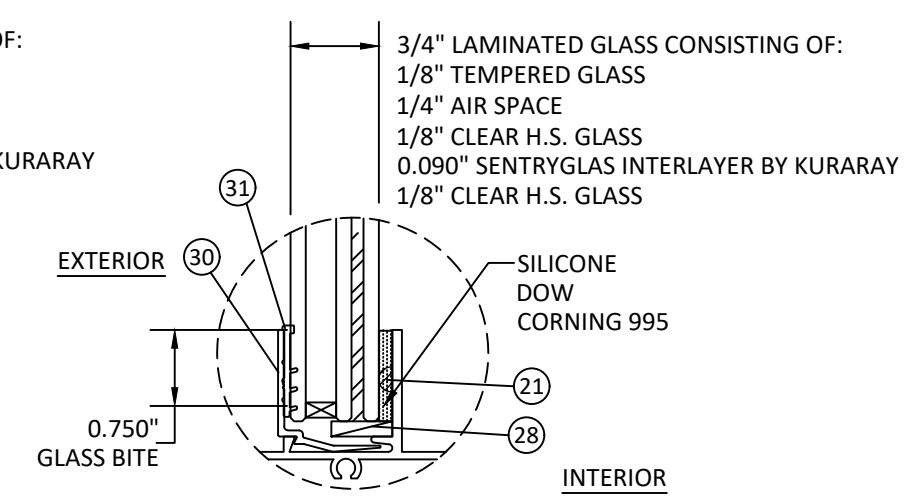
GLAZING DETAIL 3 (G3)
SERIES 2280

GLAZING DETAIL 3 NOTE:
• GLASS SIZE NOT TO EXCEED 12.5 SQFT



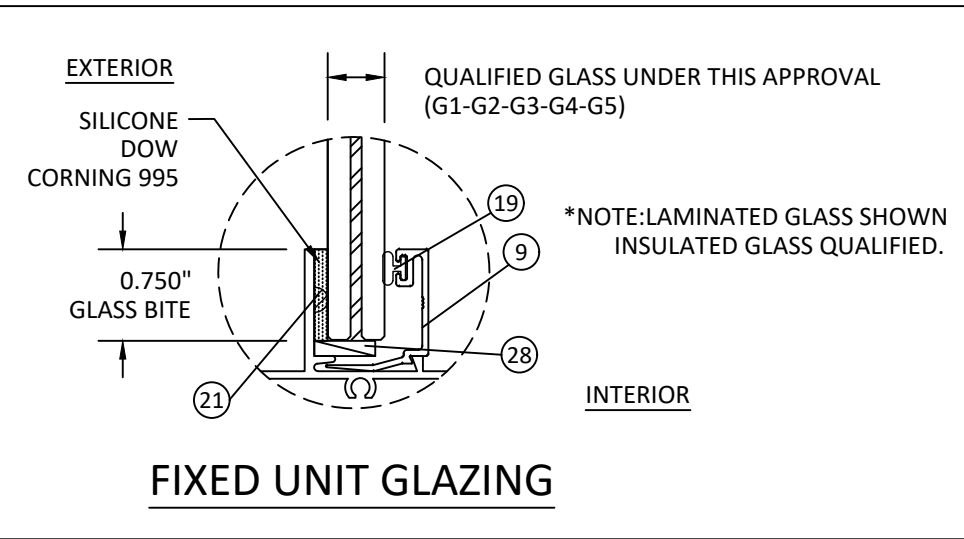
GLAZING DETAIL 4 (G4)
SERIES 2281

GLAZING DETAIL 3 NOTE:
• GLASS SIZE NOT TO EXCEED 12.5 SQFT

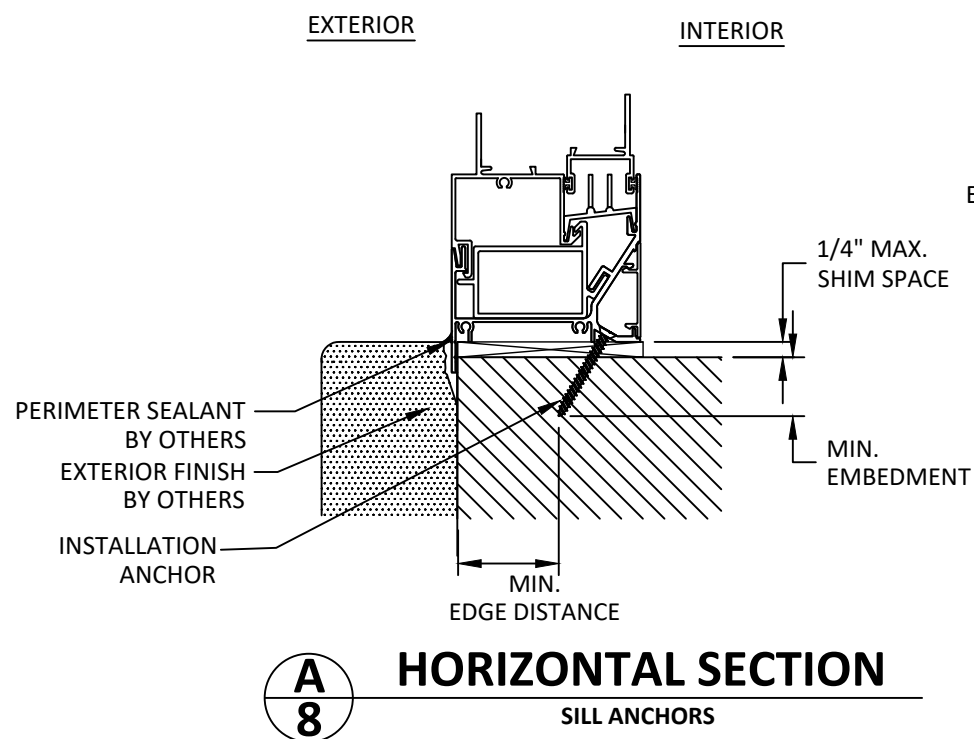


GLAZING DETAIL 5 (G5)
SERIES 2283

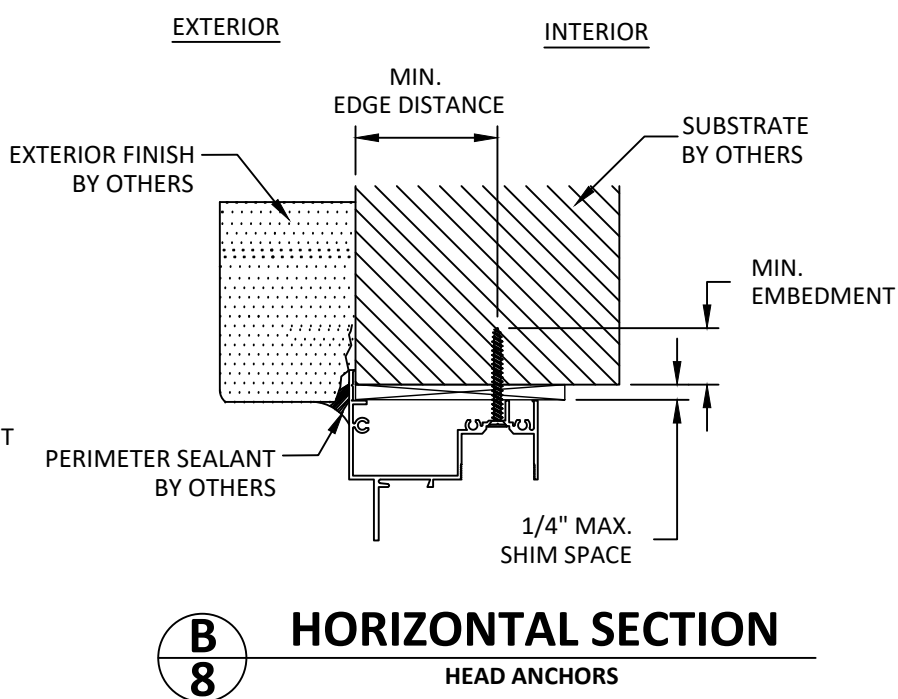
GLAZING DETAIL 3 NOTE:
• GLASS SIZE NOT TO EXCEED 12.5 SQFT



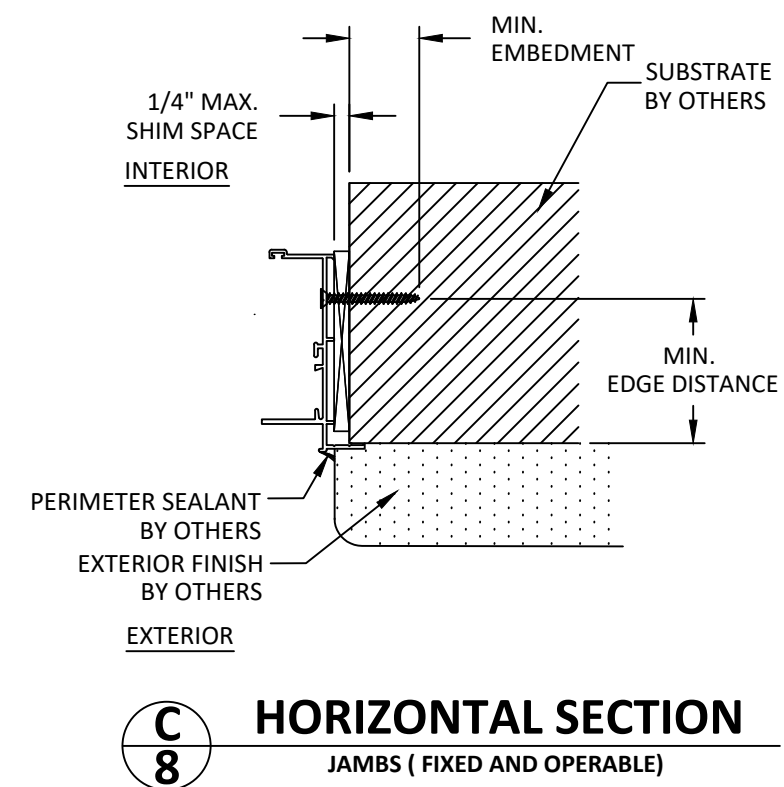
- GLAZING NOTES:**
1. GLASS TYPE AND THICKNESS SHALL COMPLY WITH ASTM E1300 REQUIREMENTS AS WELL AS APPLICABLE SAFETY GLAZING REQUIREMENTS PER THE FBC. THICKNESS, TEMPER, AND SAFETY GLAZING REQUIREMENTS SHALL BE REVIEWED ON A SITE SPECIFIC BASIS.
 2. SETTING BLOCK DUROMETER HARDNESS OF 70-90 (SHORE A) AS REFERENCED IN FBC CHAPTER 24.
 3. SETTING BLOCKS TO BE LOCATED AT 1/4 SPAN LENGTH FOR GLASS WIDER THAN 36" AS PER FBC CHAPTER 24.
 4. D.L.O. AND DESIGN PRESSURES MAY NOT EXCEED MAX VALUES IN ELEVATIONS



A
8
HORIZONTAL SECTION
 SILL ANCHORS



B
8
HORIZONTAL SECTION
 HEAD ANCHORS



C
8
HORIZONTAL SECTION
 JAMBS (FIXED AND OPERABLE)

INSTALLATION NOTES:

- ONE (1) INSTALLATION ANCHOR IS REQUIRED AT EACH ANCHOR LOCATION SHOWN.
- THE NUMBER OF INSTALLATION ANCHORS DEPICTED IS THE MINIMUM NUMBER OF ANCHORS TO BE USED FOR PRODUCT INSTALLATION OF THE MAXIMUM SIZE LISTED.
- INSTALL INDIVIDUAL INSTALLATION ANCHORS WITHIN A TOLERANCE OF $\pm 1/2$ INCH BASED ON QUANTITIES IN DP CHARTS NOT TO EXCEED THE DEPICTED LOCATION & SPACING IN THE ANCHOR LAYOUT DETAILS (I.E., WITHOUT CONSIDERATION OF TOLERANCES). TOLERANCES ARE NOT CUMULATIVE FROM ONE INSTALLATION ANCHOR TO THE NEXT
- SHIM AS REQUIRED AT EACH INSTALLATION ANCHOR WITH LOAD BEARING SHIM(S). MAXIMUM ALLOWABLE SHIM STACK TO BE 1/4 INCH. SHIM WHERE SPACE OF 1/16 INCH OR GREATER OCCURS. SHIM(S) SHALL BE CONSTRUCTED OF HIGH DENSITY PLASTIC OR BETTER.
- FOR MASONRY OR CONCRETE OPENINGS, A 1X WOOD BUCK MAY BE USED (OPTIONAL) AS LONG AS THE MINIMUM EMBEDMENT AND EDGE DISTANCE REQUIREMENTS ARE STILL MET WITHIN THE CORRESPONDING HOST SUBSTRATE. SEE GENERAL NOTE #3 ON SHEET 1 FOR MORE INFORMATION.
- MINIMUM EMBEDMENT AND EDGE DISTANCE EXCLUDE WALL FINISHES, INCLUDING BUT NOT LIMITED TO STUCCO, FOAM, BRICK VENEER, AND SIDING.
- INSTALLATION ANCHORS AND ASSOCIATED HARDWARE MUST BE MADE OF CORROSION RESISTANT MATERIAL OR HAVE A CORROSION RESISTANT COATING.
- FOR HOLLOW BLOCK AND GROUT FILLED BLOCK, DO NOT INSTALL INSTALLATION ANCHORS INTO MORTAR JOINTS. EDGE DISTANCE IS MEASURED FROM FREE EDGE OF BLOCK OR EDGE OF MORTAR JOINT INTO FACE SHELL OF BLOCK.
- INSTALLATION ANCHORS SHALL BE INSTALLED IN ACCORDANCE WITH ANCHOR MANUFACTURER'S INSTALLATION INSTRUCTIONS, AND ANCHORS SHALL NOT BE USED IN SUBSTRATES WITH STRENGTHS LESS THAN THE MINIMUM STRENGTH SPECIFIED BY THE ANCHOR MANUFACTURER.

ANCHOR SCHEDULE					
METHOD	ANCHOR TYPE	SUBSTRATE	ANCHOR SCHEDULE	MIN. EMBEDMENT	MIN. EDGE DISTANCE
THROUGH FRAME	A	WOOD: MIN. SG = 0.55	#14 WOOD SCREW	1.50"	1.00"
	B	CONCRETE: MIN. F'c = 3000 PSI	1/4" ITW TAPCON	1.50"	3.00"
	C	METAL: MIN. 1/8" THICKNESS ALUMINUM. MIN. 6063-T5	1/4" SELF DRILLING OR SELF TAPPING SCREW	3 THREADS MIN. PENETRATION BEYOND METAL	0.50"
	C	METAL: 18 GAUGE STEEL MIN. FY = 33 KSI	1/4" SELF DRILLING OR SELF TAPPING SCREW	3 THREADS MIN. PENETRATION BEYOND METAL	0.50"
	D	MASONRY: CMU PER ASTM C90 MIN. 2000 PSI	1/4" ITW TAPCON	1.00"	2.00"

TITLE: ALUMINUM HORIZONTAL SLIDER WINDOW (HVHZ)(IMPACT)
 INSTALLATION NOTES, ANCHOR DETAILS & SCHEDULE

PREPARED BY: BUILDING DROPS, INC.
 398 E. DANIA BEACH BLVD., STE. 338
 DANIA BEACH, FL 33004
 PH: (954)399-8478
 FAX: (954)744-4738
 WEB: www.buildingdrops.com

REMARKS	BY	DATE

THE INSTALLATION DETAILS DESCRIBED HERE IN ARE GENERIC AND MAY NOT REFLECT ACTUAL CONDITIONS FOR A SPECIFIC SITE. IF SITE CONDITIONS CAUSE INSTALLATION TO DEVIATE FROM THE REQUIREMENTS DETAILED HEREIN, A LICENSED ENGINEER OR ARCHITECT SHALL PREPARE SITE SPECIFIC DOCUMENTS FOR USE WITH THIS DOCUMENT.

HERMES J. MORERO, P.E.
 FLORIDA P.E. No. 73778
 BUILDING DROPS, INC.
 398 E. DANIA BEACH BLVD. # 338
 DANIA BEACH, FL 33004
 FBPE CERT. OF AUTHORIZATION No. 29578

FL# **FL41568**

DATE: **04.28.22**

DWG. BY: **YC** | CHK. BY: **HFN**

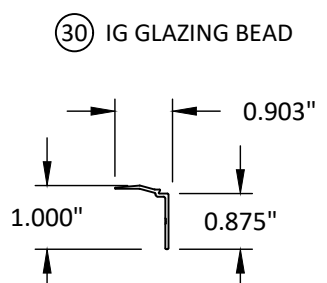
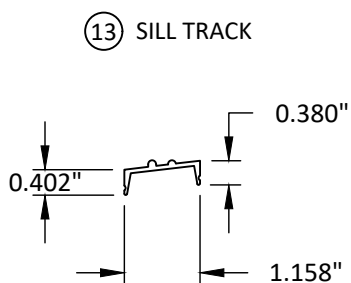
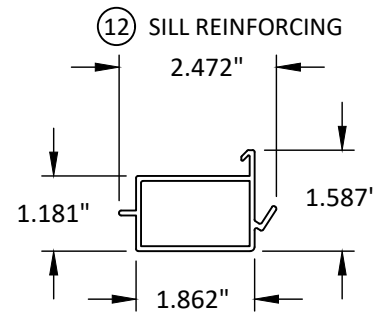
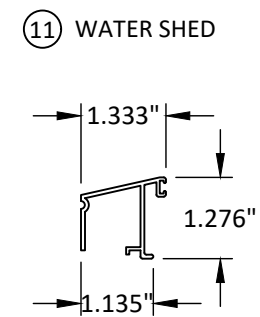
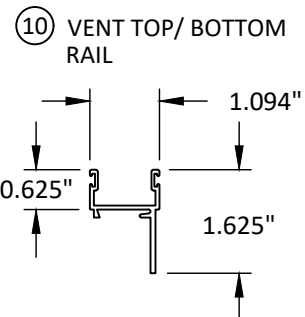
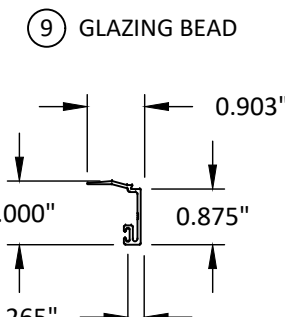
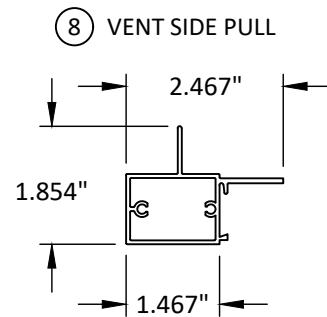
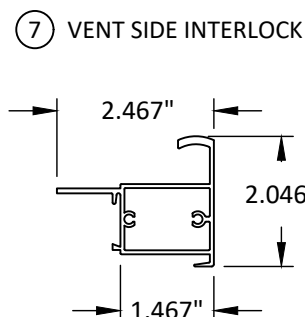
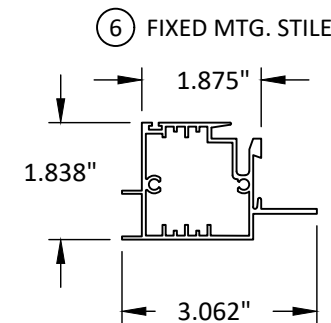
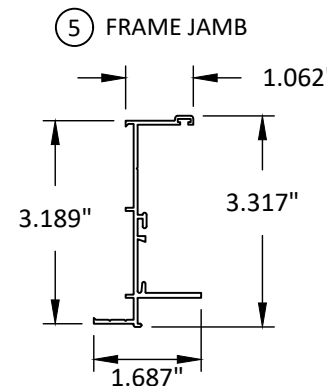
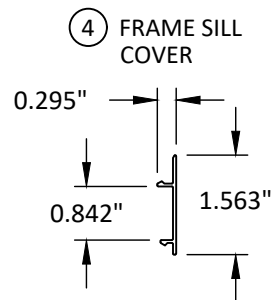
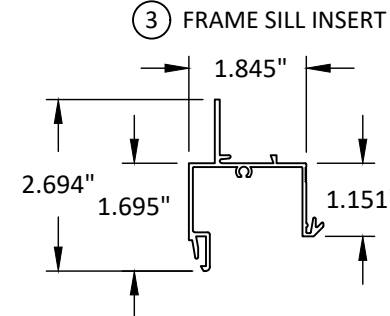
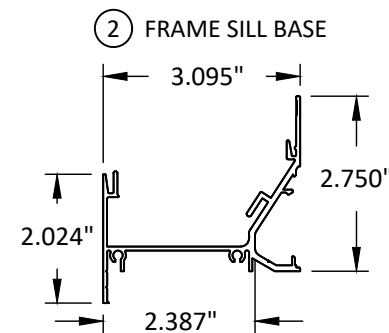
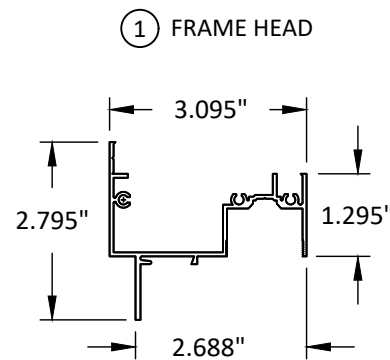
SCALE: **NTS**

DWG. #: **GIP004**

SHEET: **8** OF 9

BILL OF MATERIALS

ITEM#	PART#	ITEM DESCRIPTION	MANUFACTURER	MATERIAL
1	021-005	FRAME HEAD		6063-T6
2	021-014	FRAME SILL BASE		6063-T6
3	021-013	FRAME SILL INSERT		6063-T5
4	021-015	FRAME SILL COVER		6063-T5
5	021-006	FRAME JAMB		6063-T5
6	022-007	FIXED MEETING STILE		6063-T5
7	022-004	VENT SIDE INTERLOCK		6063-T5
8	022-019	VENT SIDE PULL		6063-T5
9	021-011	GLAZING BEAD		6063-T5
10	021-003	VENT TOP/ BOTTOM RAIL		6063-T5
11	021-039	WATER SHED		6063-T5
12	022-038	SILL REINFORCEMENT		6063-T5
13	021-016	TRACK		6063-T5
14	010-004	WHEEL HOUSING ASSEMBLY	PVC	M & M PLASTICS
15	004-002	SWEEP LOCK		SULLIVAN & ASSOC.
16	008-014	ASSEMBLY SCREWS		
17	008-031	MTG. RAIL ASSEMBLY SCREWS		
18	015-002	WOOL PILE W/ FIN SEAL	FELT	ULTRAFAB
19	023-001	FOAM FILLED BULB	AMESBURY	VINYL
20	012-004	GLAZING COMPOUND	SILICONE	DOW 995
21	015-006	1/8" SPACER	ACRYLIC	FRANK LOWE RUBBER
22	012-001	SMS504 SEAM SEALER		SCHNEE MOREHEAD
23	010-014	BAFFLE	NYLON	M & M PLASTICS
24	010-015	WEEP COVER	NYLON	PREFERRED ENGINEERING
25	015-001	BULB GASKET	VINYL	MASTER TOOL
26	010-002	END CAP	ACETYL	M & M PLASTICS
27		LOCK JAMB REINFORCEMENT		
28	015-010	SETTING BLOCK	FRANK LOWE RUBBER	NEOPRENE
29	023-006	0.187 X 0.250 FOAM FILLED BULB	AMESBURY	VINYL
30	021-105	IG GLAZING BEAD		6063-T5
31	015-017	WEDGE GASKET DUROMETER 90 +/-5	MELTPOINT PLASTIC	FLEX PVC



GLOBAL IMPACT PRODUCTS, LLC
 1963 WEST MCNAB RD,
 POMPANO BEACH, FL 33069

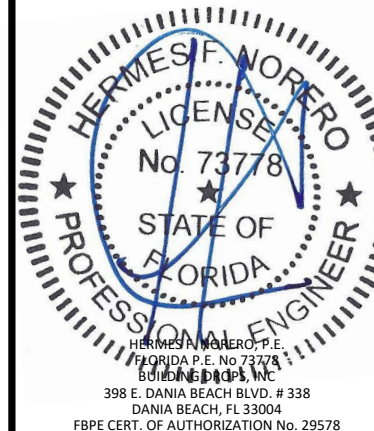
TITLE: ALUMINUM HORIZONTAL SLIDER WINDOW (HVHZ)(IMPACT) COMPONENTS & BILL OF MATERIALS

PREPARED BY: BUILDING DROPS, INC.
 398 E. DANIA BEACH BLVD., STE. 338
 DANIA BEACH, FL 33004
 PH: (954)399-8478
 FAX: (954)744-4738
 WEB: www.buildingdrops.com



REMARKS	BY	DATE

THE INSTALLATION DETAILS DESCRIBED HEREIN ARE GENERIC AND MAY NOT REFLECT ACTUAL CONDITIONS FOR A SPECIFIC SITE. IF SITE CONDITIONS CAUSE INSTALLATION TO DEVIATE FROM THE REQUIREMENTS DETAILED HEREIN, A LICENSED ENGINEER OR ARCHITECT SHALL PREPARE SITE SPECIFIC DOCUMENTS FOR USE WITH THIS DOCUMENT.



FL# **FL41568**

DATE: **04.28.22**

DWG. BY: **YC** CHK. BY: **HFN**

SCALE: **NTS**

DWG. #: **GIP004**

SHEET: